



MACHAN INTERNATIONAL CO., LTD.

No. 59-7, Shan-jiao Lane, Shui-mei Village,

Waipu, Taichung 43858, Taiwan

Tel: +886-4-2688-7171

Fax: +886-4-2688-5050

sales@bailida-medical.com

www.bailida-medical.com

CE ISO 9001:2000



TC SERIES

MEDICAL FURNITURE & HOSPITAL EQUIPMENT

FEATURES OF THE TC SERIES

TRANSPORT CART

TC series is the lightweight cart for transport and necessary storage need. The easy-close ABS shutter is a standard and can protect contents well during the transportation. Locking bar is available.

Cell panels allow trays and baskets to operate like fully extending drawers and store everything easily. You can have different combinations by selecting 3"/ 6" ABS trays and 3"/ 6"/ 9" wire baskets.

Powder paint

4 main colours, other colour options available

- Anti-static paint available
- Anti-static and anti-bacterial paints available

4 main colours



Other available colours



Caster options

Size: 5" (ø125mm)
Caster and drawer options are available to satisfy different customer requirements.



Twin wheel TPR caster Plastic medical TPR caster Dustproof medical TPR caster Iron medical TPR caster (standard)



ABS top surface
Light, easy to clean.



Sliding table top extension
Easy to use, space saving, max load 8kg



Central key lock



Push handle
User friendly design, height adjustable, easy set up.

SPECIFICATIONS

	TC3100		TC3400		TC3700	
	mm	inch	mm	inch	mm	inch
Internal Height (for tray & basket)	533	21	610	24	686	27
W	716	28.2	716	28.2	716	28.2
D	520	20.5	520	20.5	520	20.5
H	945	37.2	1025	40.4	1105	43.5
H (w/o 5" Casters)	790	31.1	870	34.3	950	37.4





ACCESSORY LIST

TC SERIES

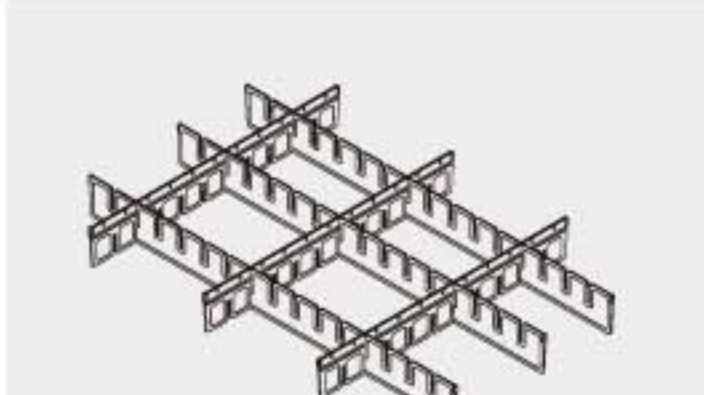
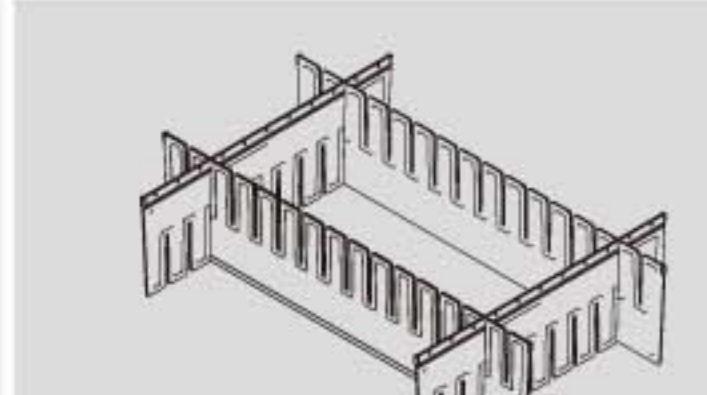
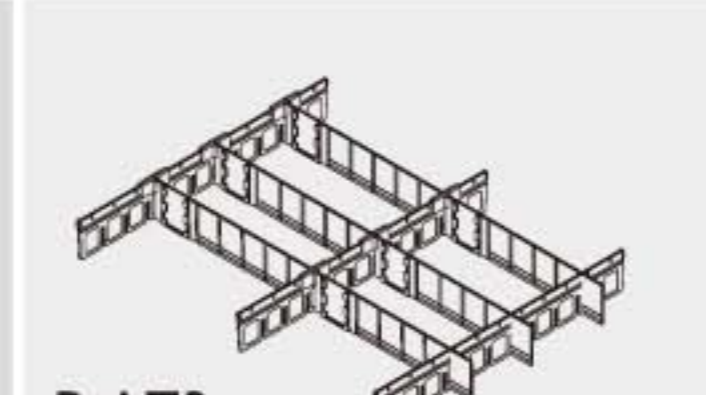
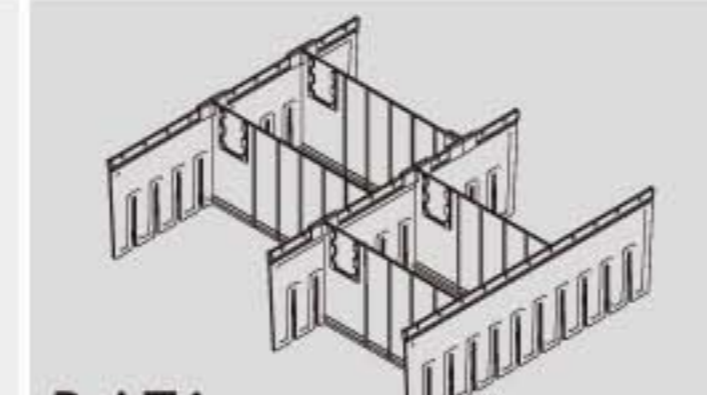
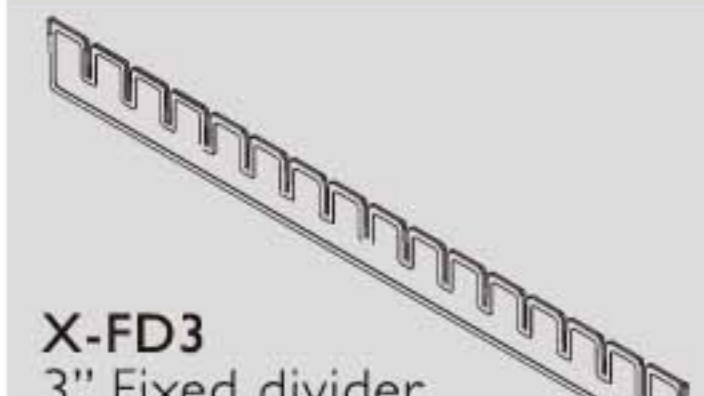

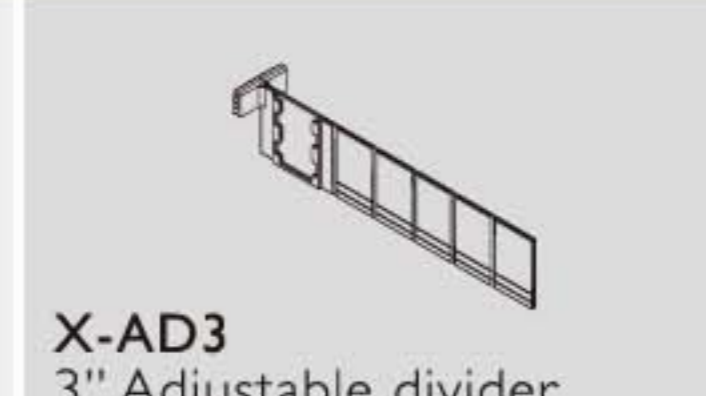

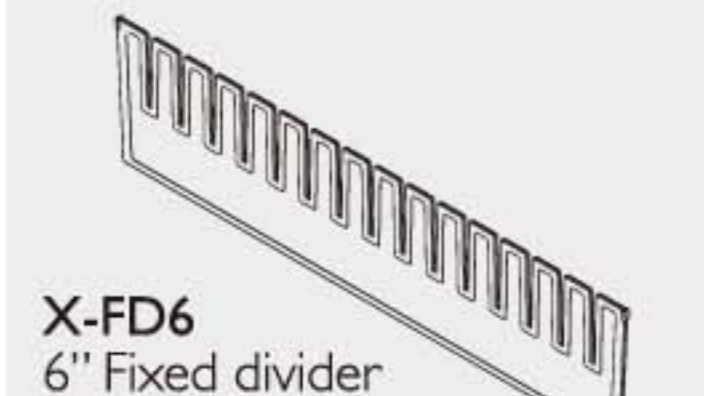
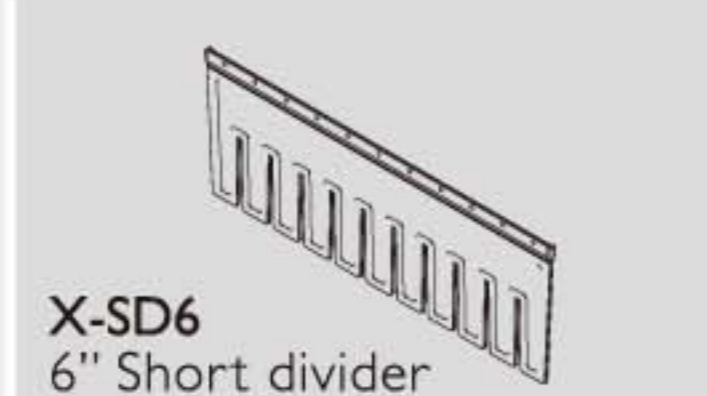

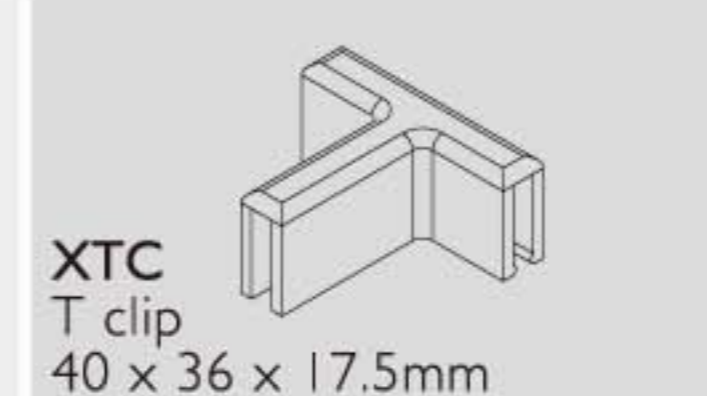
Side accessories

				
VGD & VPR-2 Glove dispenser & side rail	VSC & VPR-2 Sharps container & side rail	VBH & VPR-2 Bottle holder & side rail	VMS & VPR-2 Multi-storage (L) & side rail	VFH & VPR-2 File holder & side rail 571 x 397 x 150mm
				
VWC & VPR-2 Waste container w/ lid & side rail 255 x 170 x 315mm	VWB & VPR-2 Waste bin & side rail 265 x 255 x 460mm	VGB & VPR-2 Garbage bin & side rail 255 x 170 x 315mm	VCH & VPR-2 Catheter holder & side rail 100 x 100 x 480mm	VDH & VPR-2 Documents holder & side rail 330 x 160 x 255mm

Top accessories

			
VIV IV pole	VTB-2 Tilt bin organiser (S) 600 x 111 x 230mm	VTB-1 Tilt bin organiser (L) 600 x 161 x 168mm	P-AB Accessory bridge 800mm



DIVIDER SYSTEM PACKAGE

Fixed divider set		Adjustable divider set (Length adjustable)	
			
P-FT3 3" fixed divider set (3 x short + 3 x fixed)	P-FT6 6" fixed divider set (2 x short + 2 x fixed)	P-AT3 3" adjustable divider set (3 x short + 6 x adjustable + 6 x T clips)	P-AT6 6" adjustable divider set (3 x short + 4 x adjustable + 4 x T clips)
3" Individual divider			
			
X-FD3 3" Fixed divider 542 x 51 x 4.6mm	X-SD3 3" Short divider 368 x 51 x 4.6mm	X-AD3 3" Adjustable divider 237 x 51 x 5.3mm	X-LH Label holder 40 x 60 x 18mm 20 pcs/pack
6" Individual divider			
			
X-FD6 6" Fixed divider 542 x 130 x 4.6mm	X-SD6 6" Short divider 368 x 130 x 4.6mm	X-AD6 6" Adjustable divider 237 x 130 x 5.3mm	XTC T clip 40 x 36 x 17.5mm 10 pcs/pack

Baskets

		
XWB-3 3" (L600 x W400 x H70mm)	XWB-6 6" (L600 x W400 x H148mm)	XWB-9 9" (L600 x W400 x H226mm)

ABS trays

	
XTR-3 3" (600 x 400 x 71mm)	XTR-6 6" (600 x 400 x 150mm)

Label holder



Lock options



ABS trays
ABS trays can be pulled out, held and taken away conveniently.